

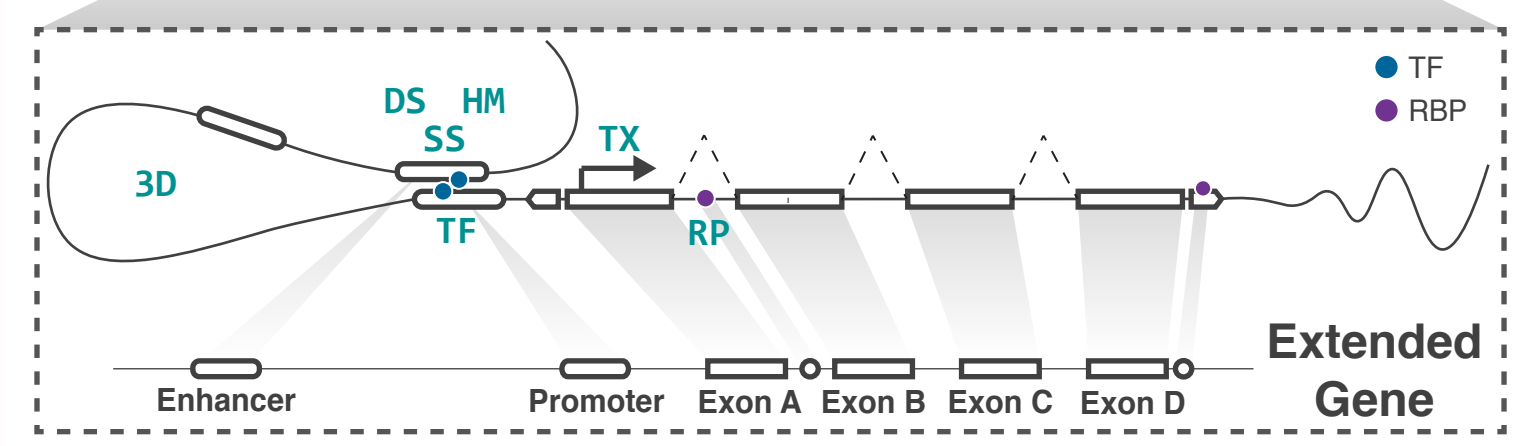
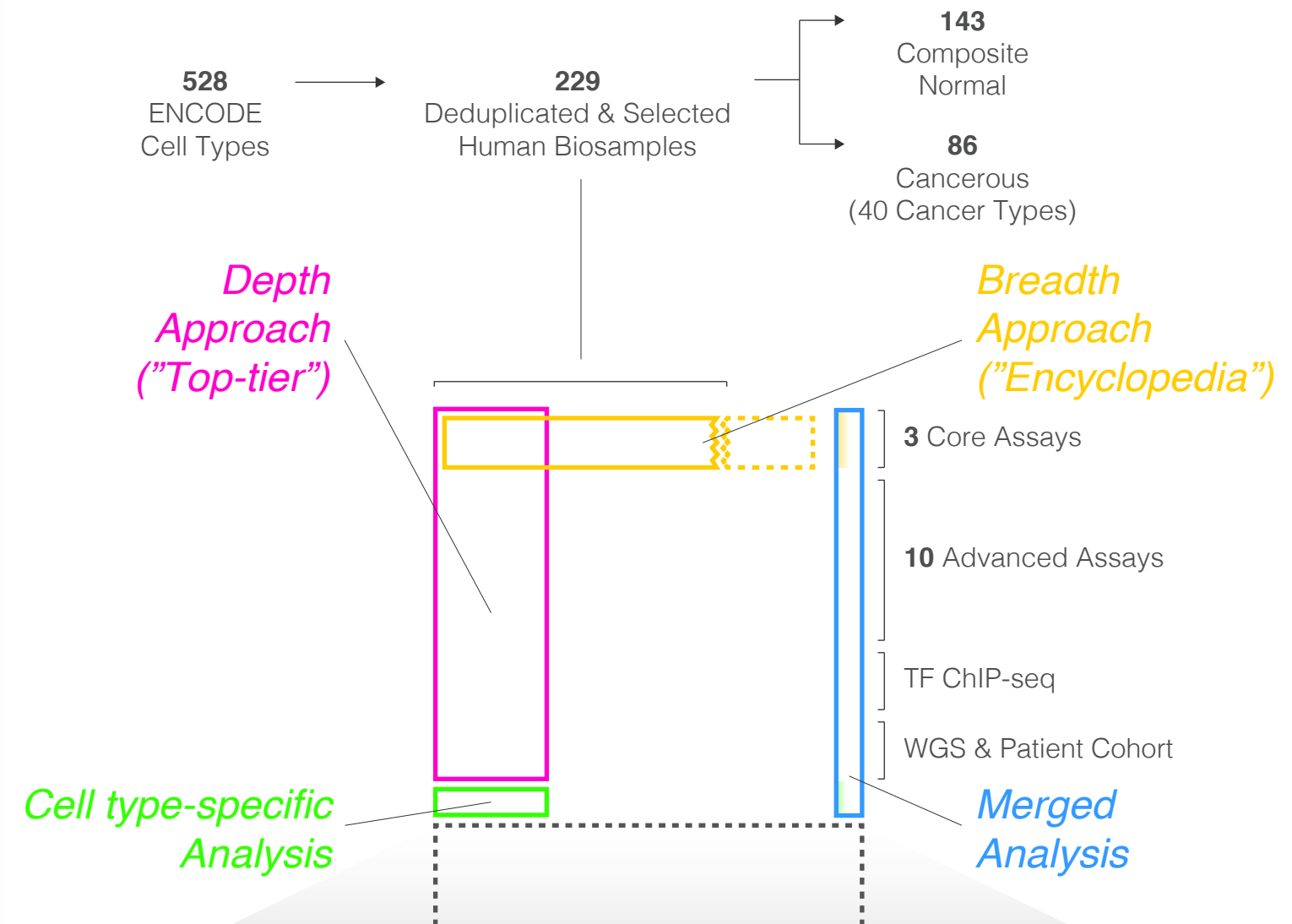
BIOSAMPLE →

ASSAY ↓

EN-CODEC

Assay Category	Assay Name	K562	HepG2	A549	MCF-7	HeLa-S3	H1-hESC	Caco-2	HCT116	Panc1	LNCaP	PC-3	PC-9	SK-N-MC	DND-41	SK-N-SH	...
		CML	LIHC	LUAD	BRCA	Cervix	ESC	COAD+READ	PAAD	PRAD	LUAD	SARC	LAML	NB			
Chromatin Accessibility	DNase-seq	●	●	●	●	●	●	●	●	●	●	●	●	●	●	●	●
	Histone Modifications	12	11	11	5	11	11	3	12	6	1	13	13	7	11	13	
Transcription	RNA-seq	●	●	●	●	●	●	●	●	●	●	●	●	●	●	●	●
	RAMPAGE	●															
RNA-binding Proteins	eCLIP	89	70														
	TF KD	85	61		2												
shRNA/siRNA Knockdown	RBP KD	234	225														
	ChIA-PET	3	1		4	2											
3D Chromatin Structure	Hi-C	▲		●	▲		▲										
	STARR-seq	●	▲		●												
Enhancers	WGBS	●	●		▲		●										
	RRBS	●	●	●	●	●	●										
Methylation	Repli-seq/chip	●	●	●	●	●	●										
	TF Total	207	95	31	52	59	49										
Transcription Factors	TFSS	125	69	23	34	34	32										
	Chromatin Remodeller	31	13	3	7	9	9										
	Cofactor	20	7	3	4	6	3										
	General (GTF)	17	4	2	2	10	5										
	Other	14	2		5												
	Cell Line WGS	SNV	▲			▲	▲										
	SV	▲			▲	▲											

Cell type-spec. Analysis



Merged Analysis

Available from

- ENCODE
- ▲ External Resource
- ◆ EN-CODEC

Fig 1